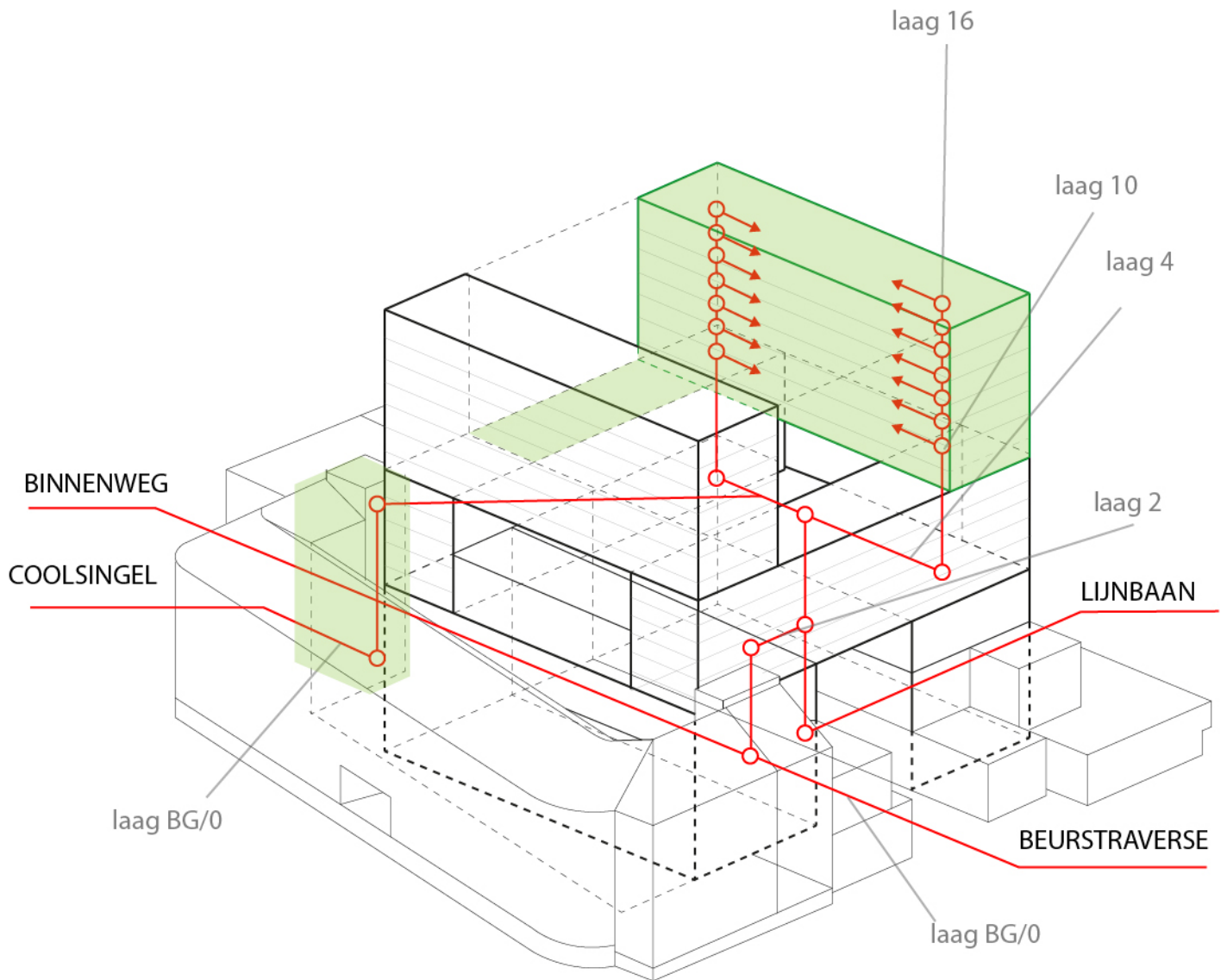
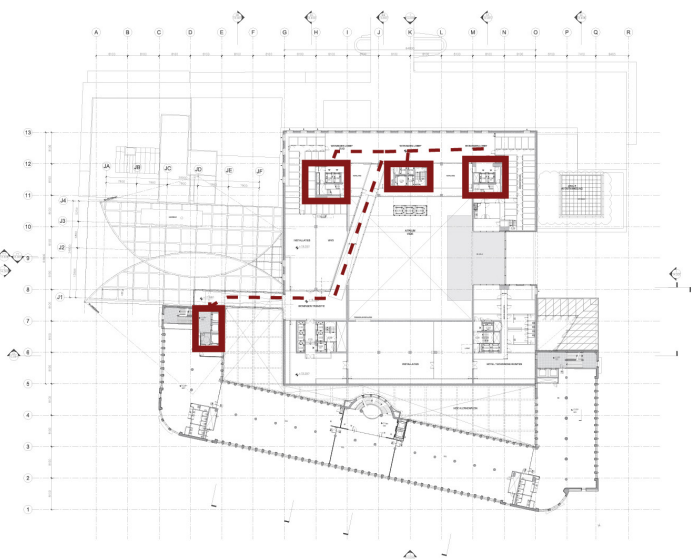
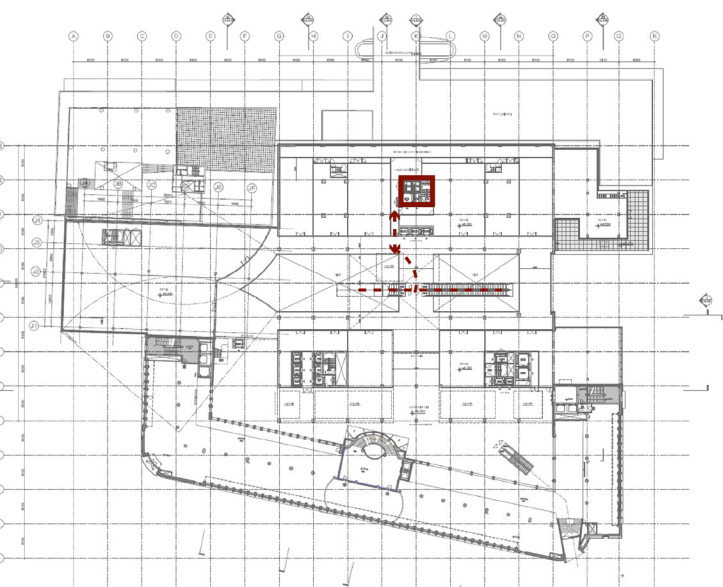
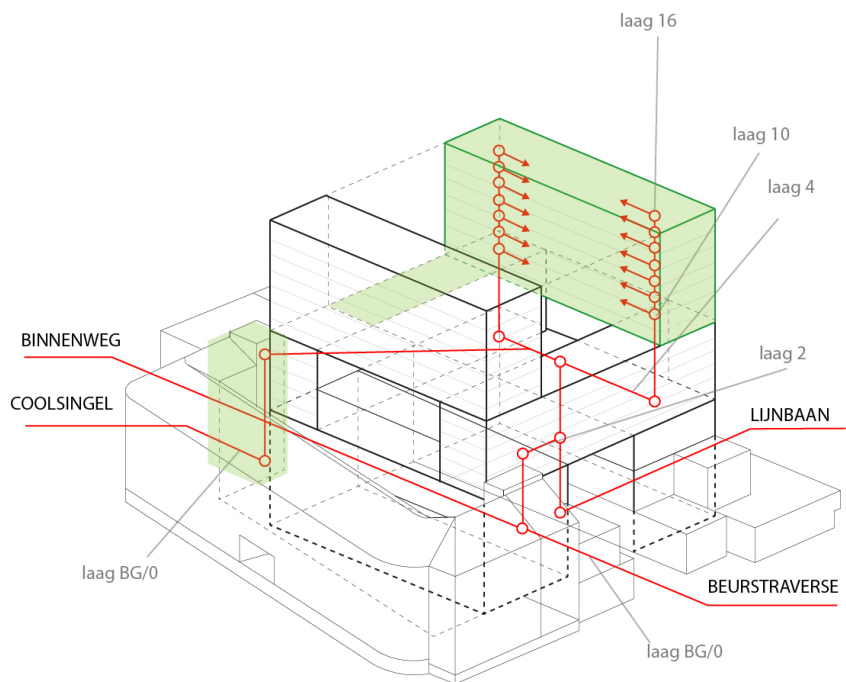


# RESIDENTIAL ENTRANCES FORUM BUILDING

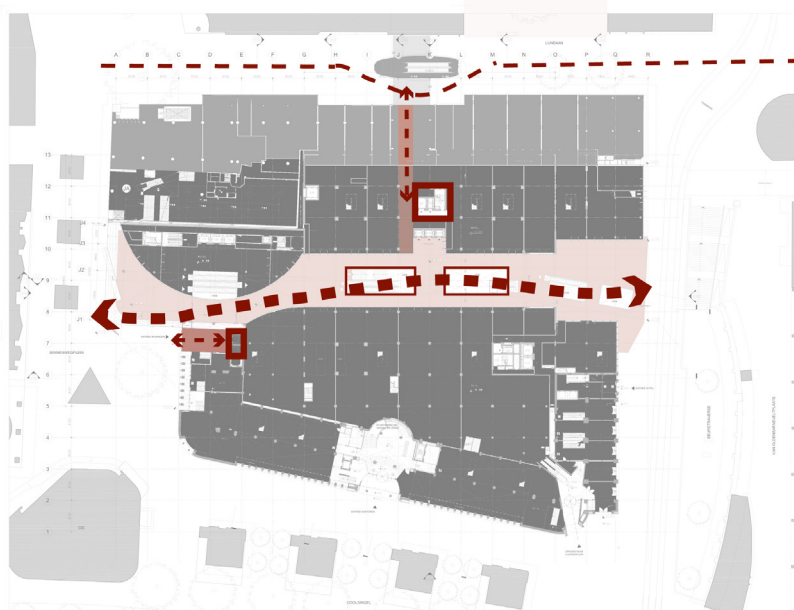




4th floor



2nd floor

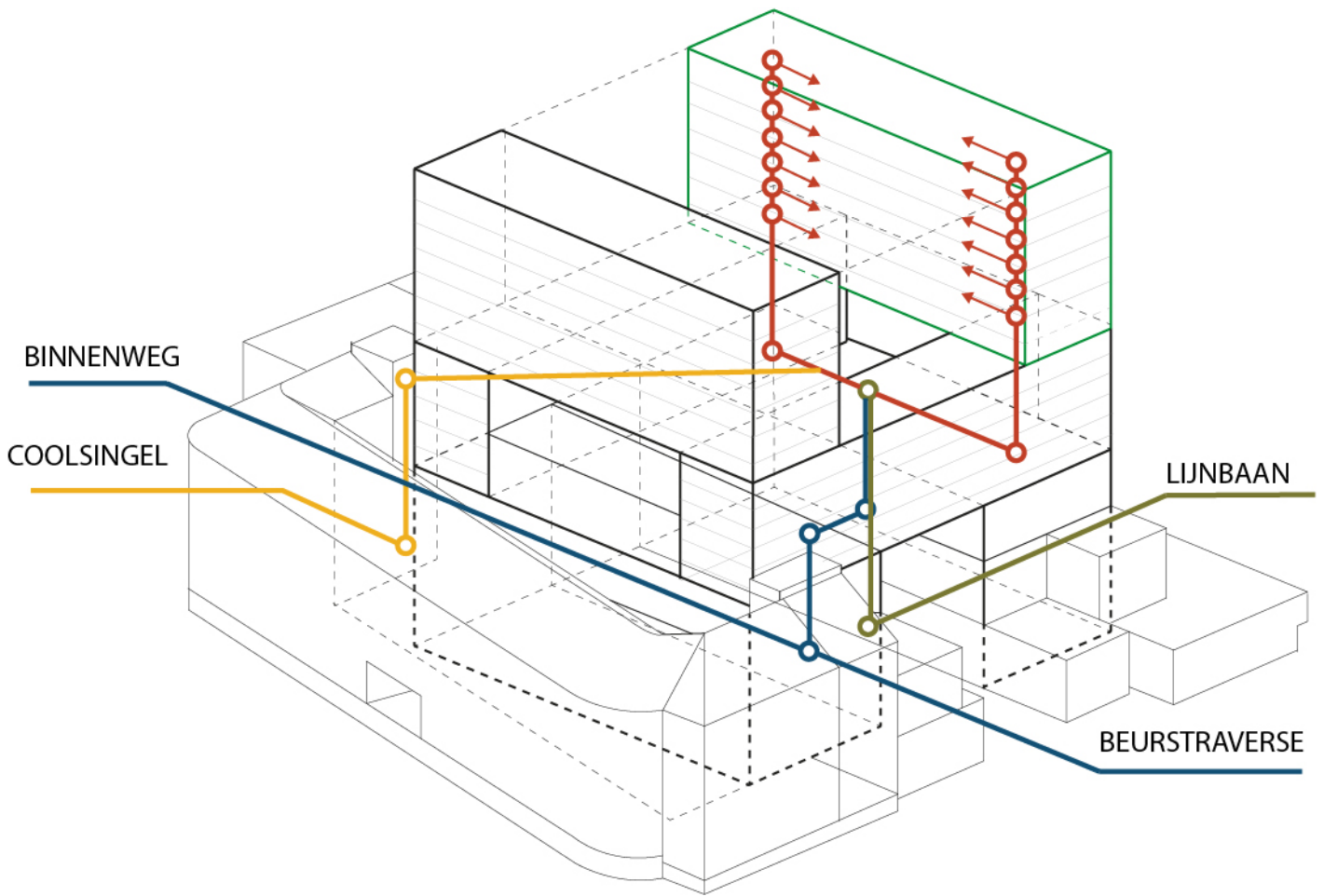


ground floor

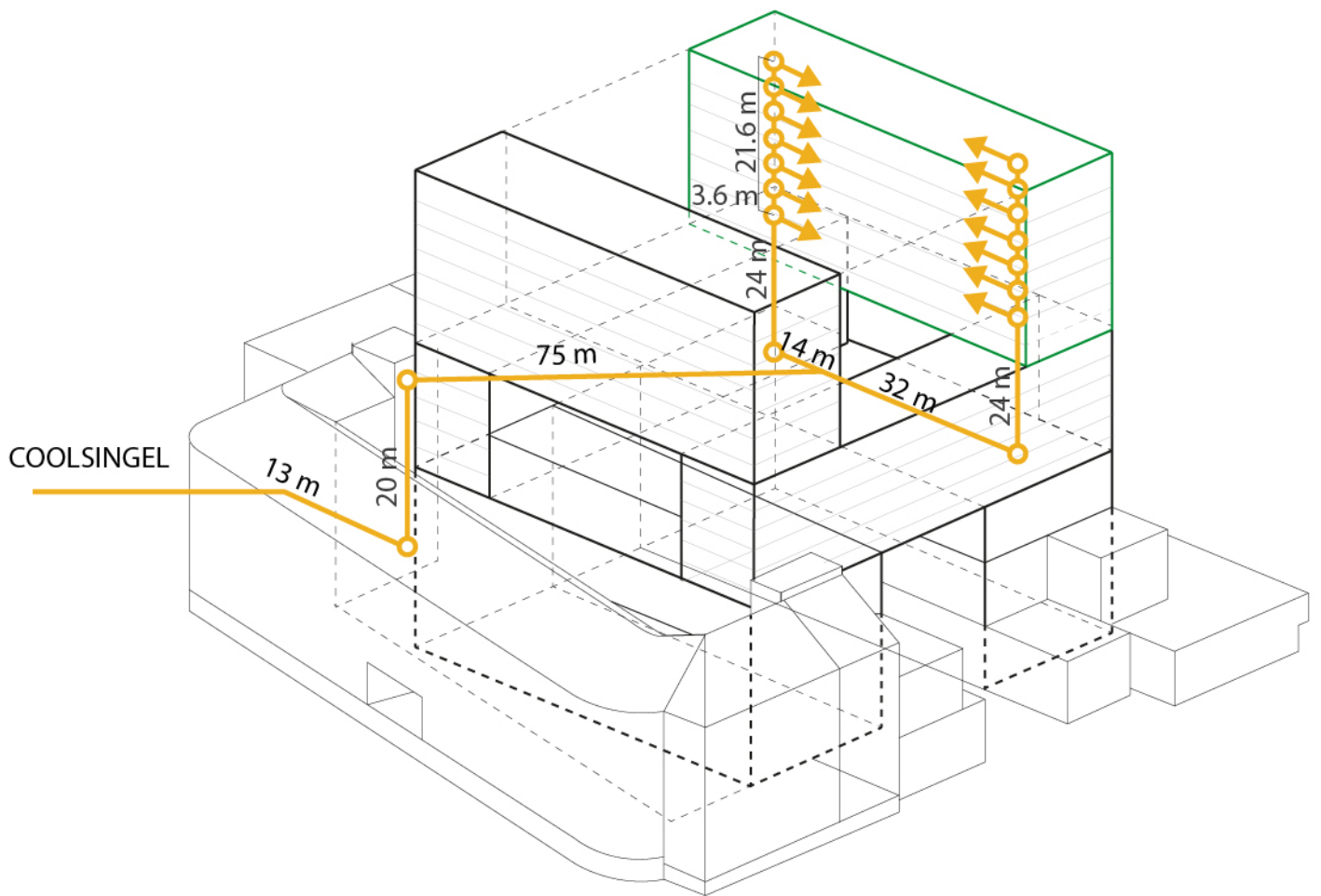
# PLANS

entrances and elevators

2 ENTRANCES  
+ 1 NEW/PROPOSED ENTRANCE  
from Lijnbaan street



RESIDENTIAL  
ENTRANCE  
COOLSINGEL



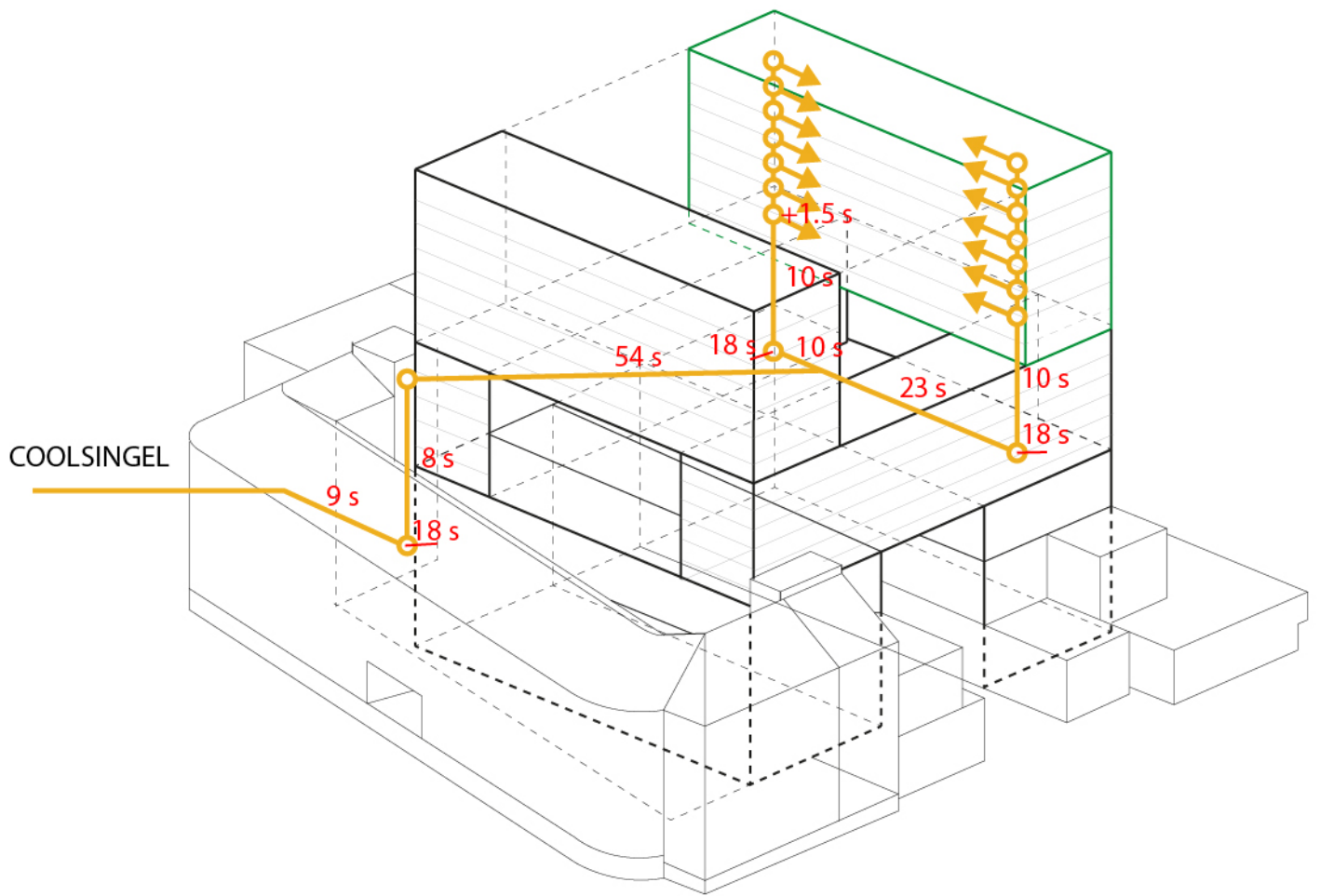
140 residents (70 one elevator, 70 another)

WALKING SPEED 5 km/h = 1.4 m/s = 83 m/min

ELEVATOR SPEED 2.5 m/s = 150 m/min

AVERAGE WAITING TIME FOR ELEVATOR 1 - 18 s

ELEVATOR 2 and 3 - 18s

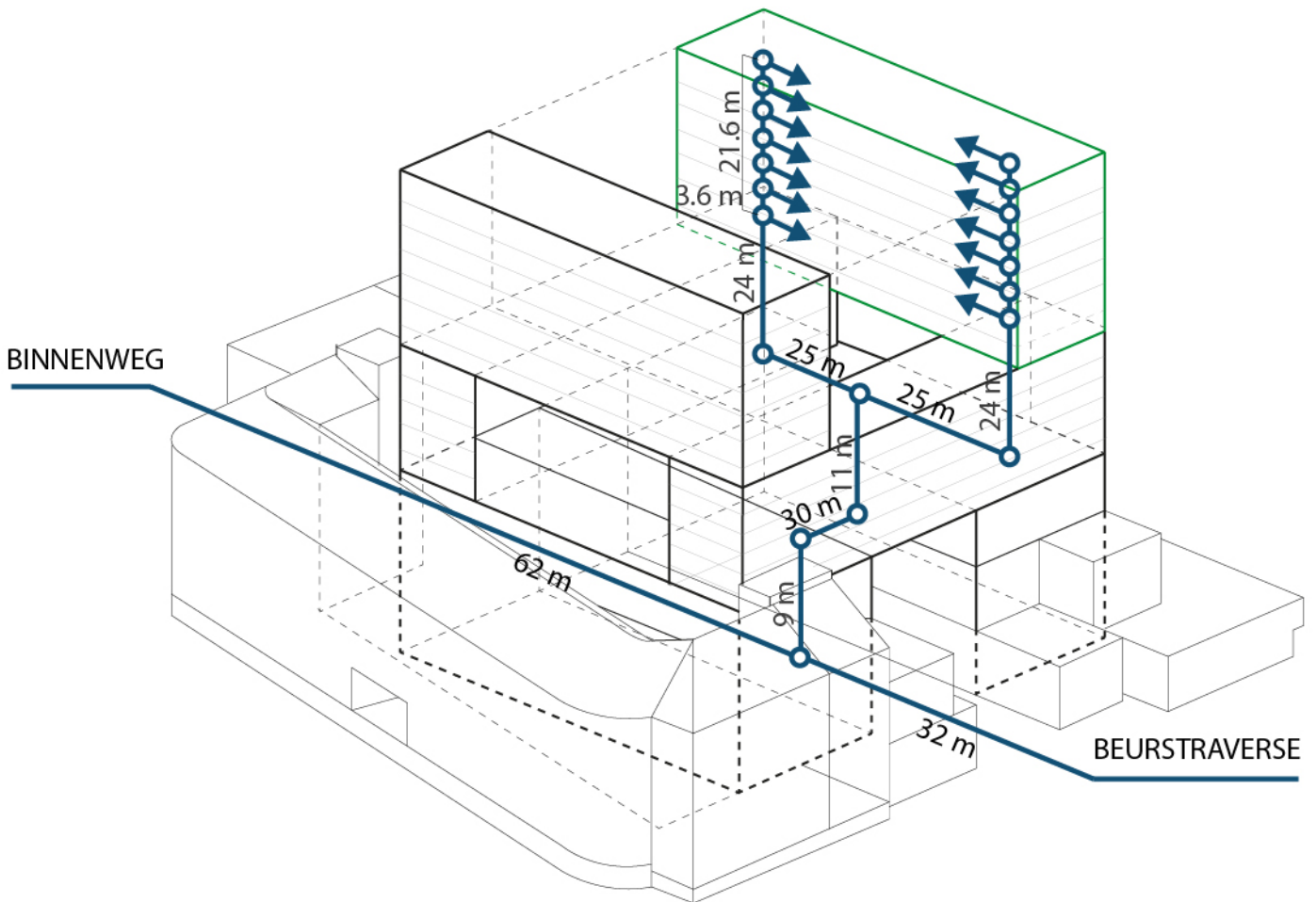


AVERAGE TIME: 133s

RESIDENTIAL  
ENTRANCES

## SHOPPING PASSAGE

### BEURSTRAVERSE-BINNEWEG



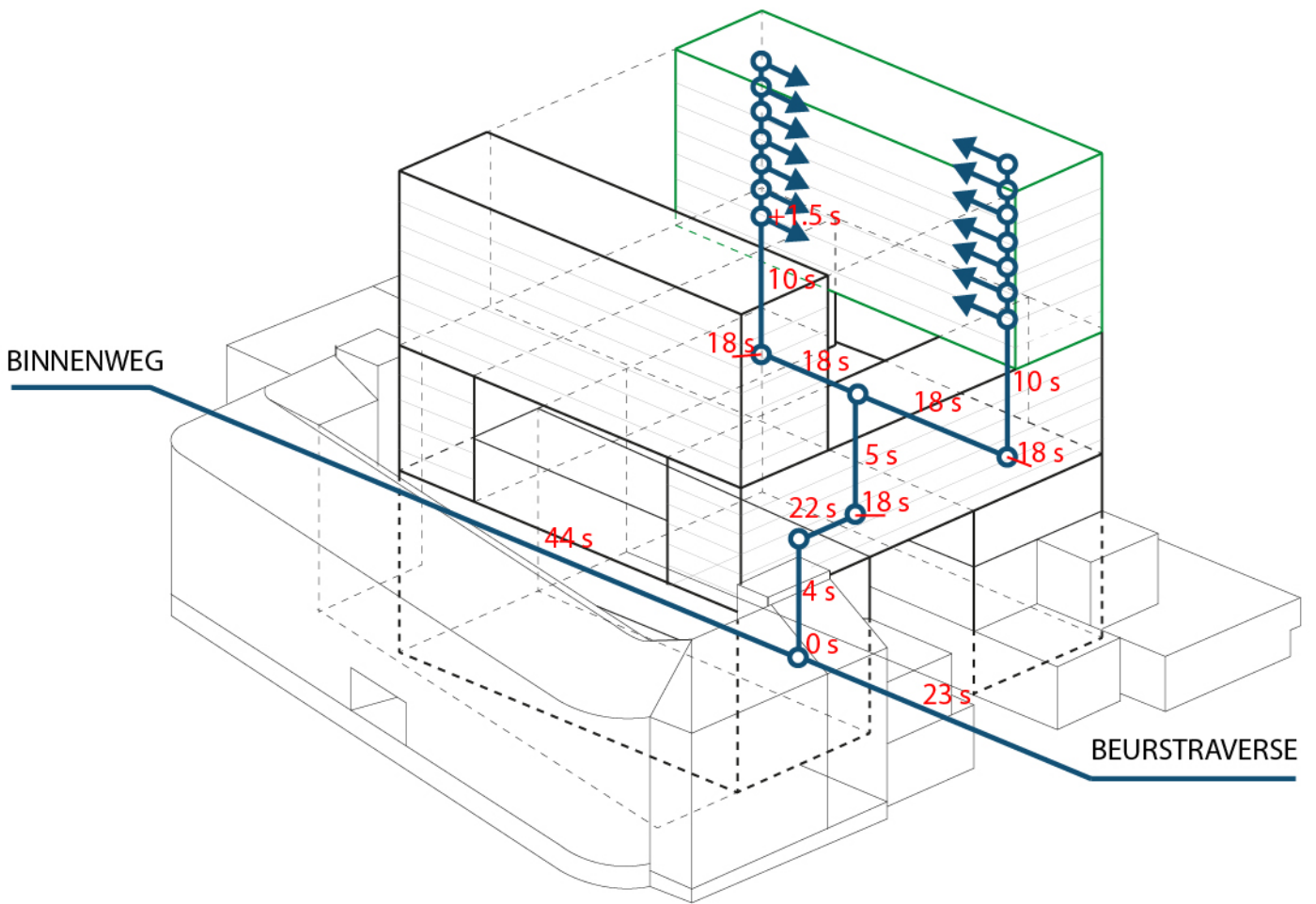
140 residents (70 one elevator, 70 another)

WALKING SPEED 5 km/h = 1.4 m/s = 83 m/min

ELEVATOR SPEED 2.5 m/s = 150 m/min

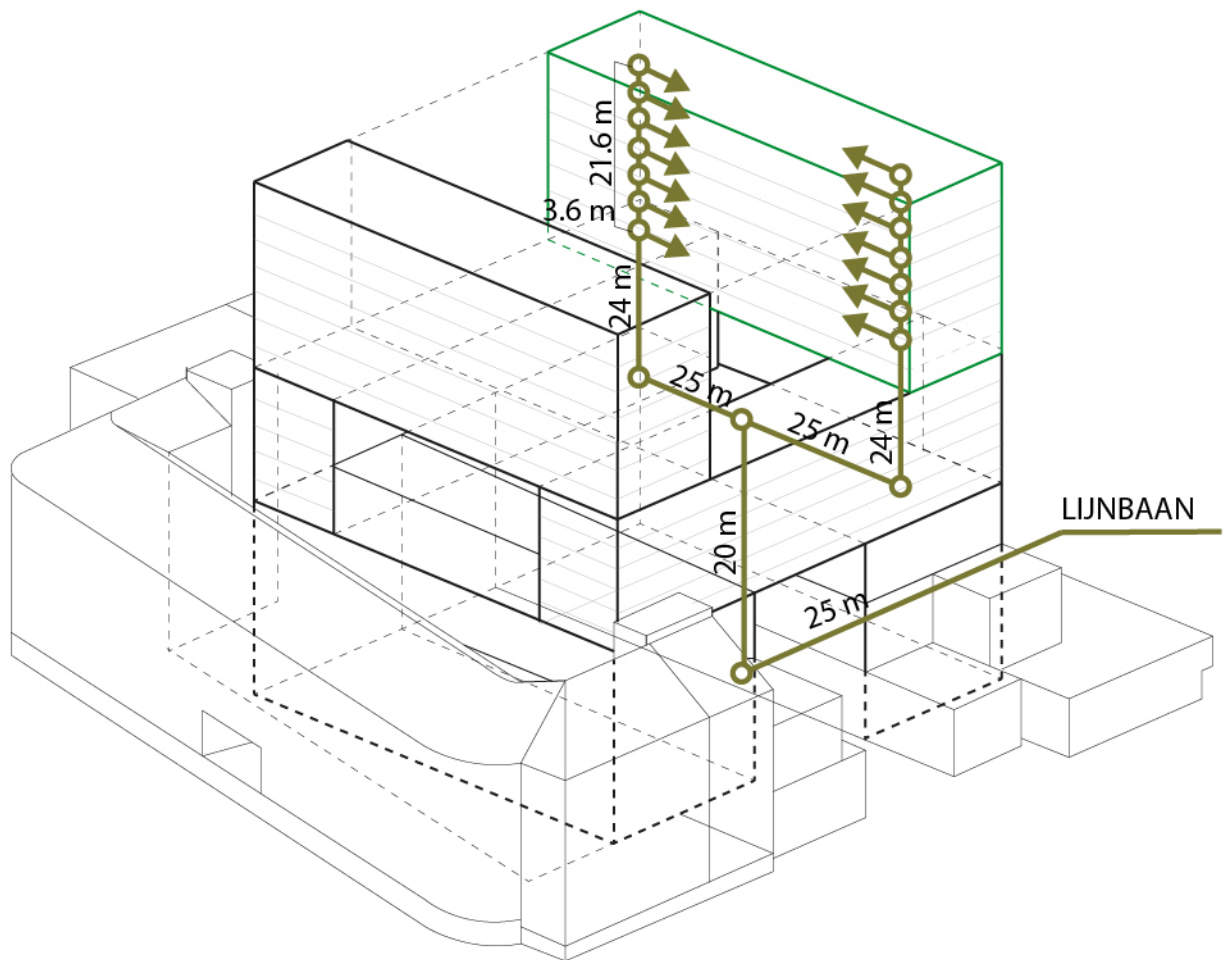
AVERAGE WAITING TIME FOR ELEVATOR 1 - 18 s

ELEVATOR 2 and 3 - 18s



AVERAGE TIME: 118s  
129s

RESIDENTIAL  
ENTRANCES  
LIJNBAAN  
NEW PROPOSAL



140 residents (70 one elevator, 70 another)

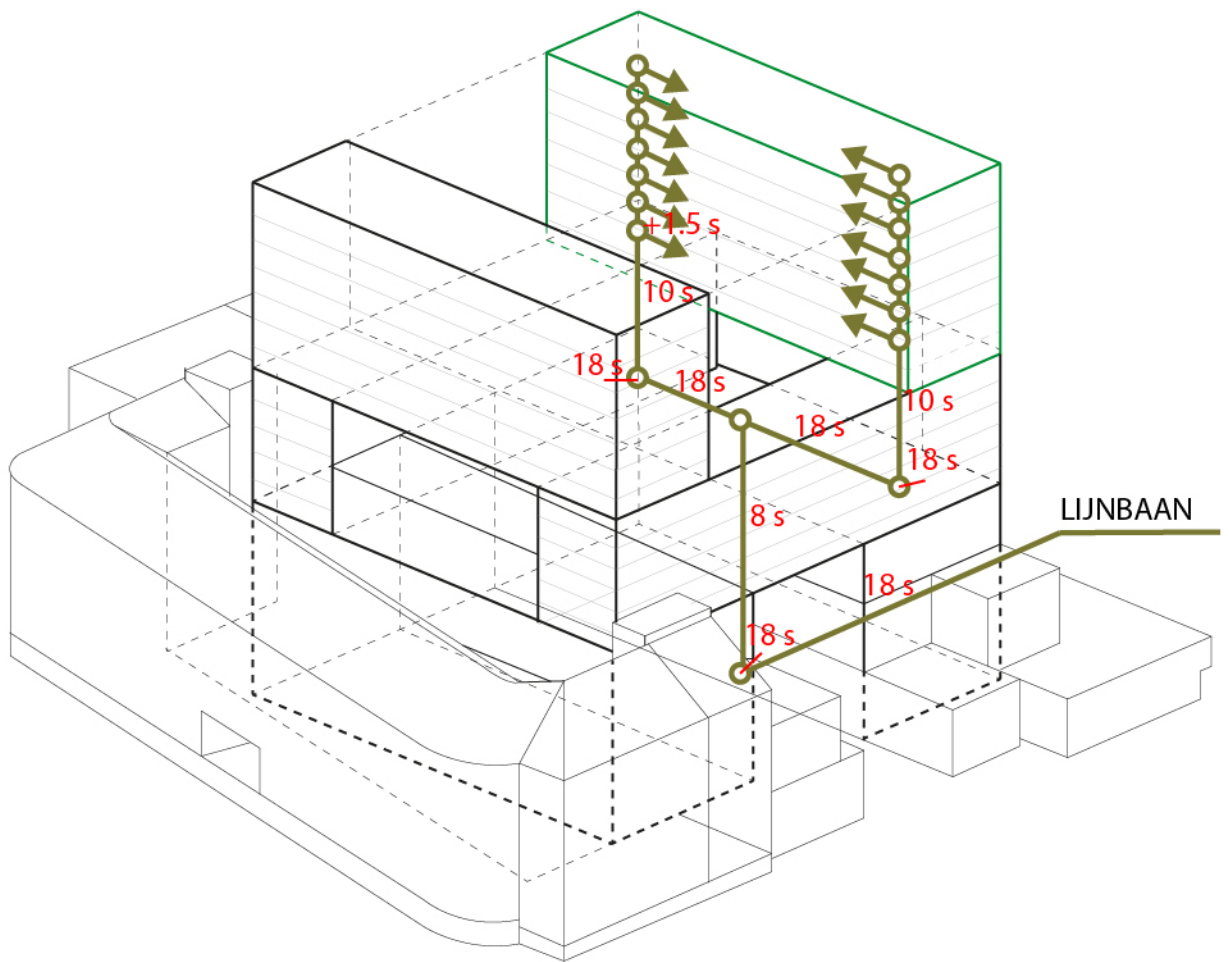
WALKING SPEED 5 km/h = 1.4 m/s = 83 m/min

ELEVATOR SPEED 2.5 m/s = 150 m/min

AVERAGE WAITING TIME FOR ELEVATOR 1 - 18 s

ELEVATOR 2 and 3 - 18s





AVERAGE TIME: 90s